

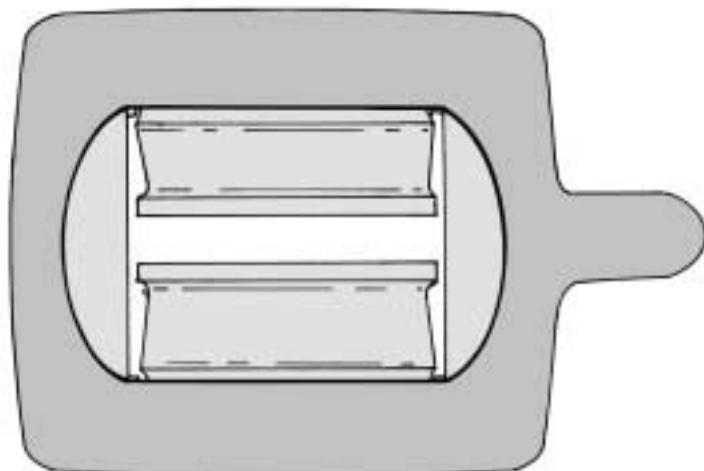
# INTERLOCK 1

## Interlock 1 features

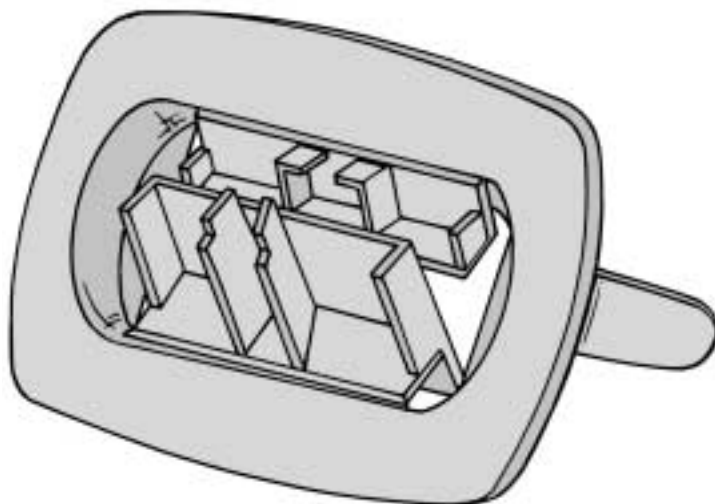
- Simple to use "snap action" closure
- Easy release system (finger and thumb) for removal
- All mechanism internal - no accidental damage from scuffing Possible
- Re-usable if necessary

### Push-Pull action:

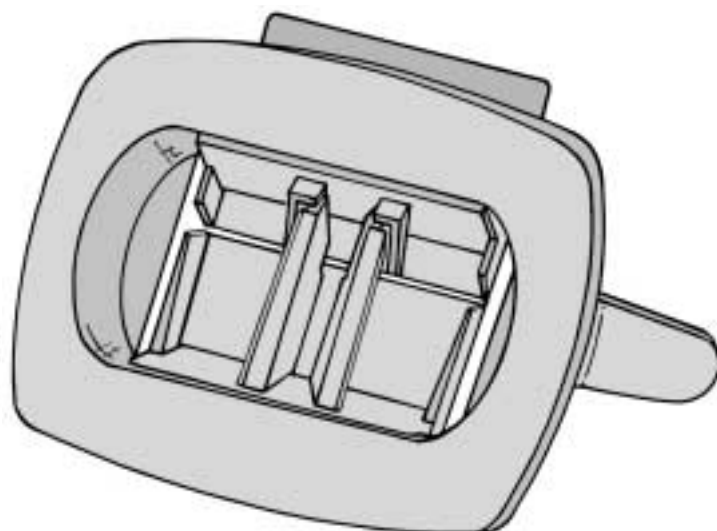
- Push to lock
- Squeeze centre and pull to open



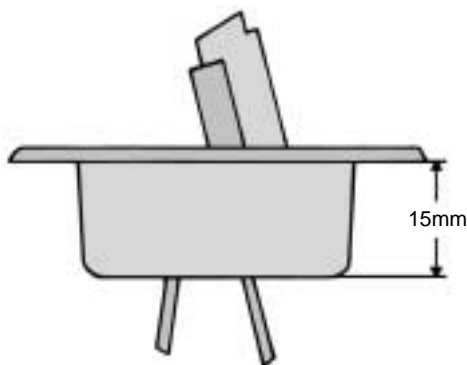
Interlock 1 bottom view open



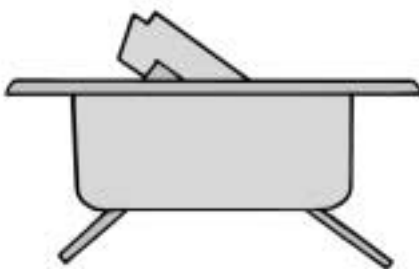
Interlock 1 top view open



Interlock 1 top view locked



Interlock 1 side view fully open



Interlock 1 side view closing



Interlock 1 side view locked

"Interlock" Registered Trade Mark and Design

.....**ANOTHER INNOVATIVE ITEM PRODUCT**

For more information please contact

**ITEM PRODUCTS (NPD) LIMITED**

101 PARK STREET, LUTON, BEDS LU1 3HG

Tel: 01582 391 898 Fax: 01582 391 998 email: [info@item-products.co.uk](mailto:info@item-products.co.uk) Web Site: [www.item-products.co.uk](http://www.item-products.co.uk)

