

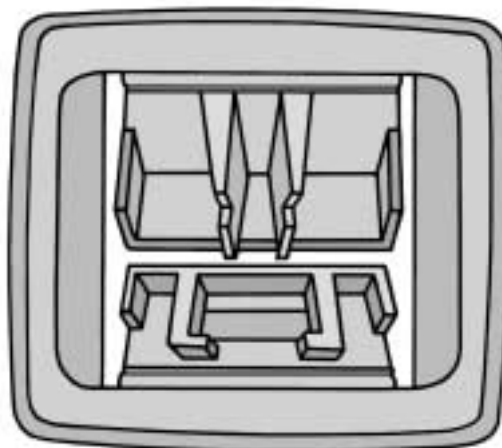
INTERLOCK 3

Interlock 3 features

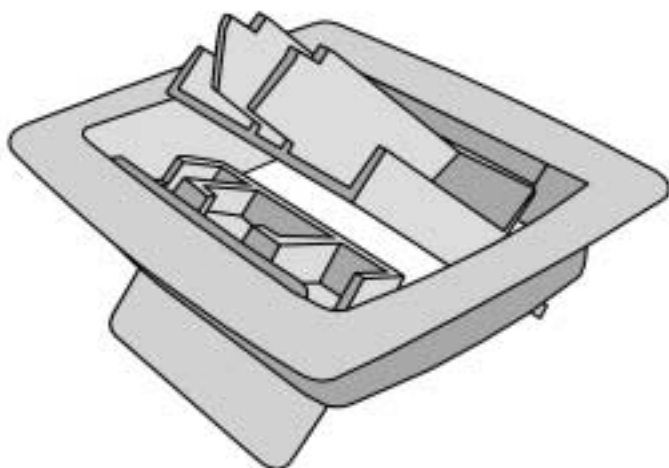
- Simple to use "snap action" closure
- Easy release system (finger and thumb) for removal
- All mechanism internal - no accidental damage from scuffing Possible
- Re-usable if necessary

Push-Pull action:

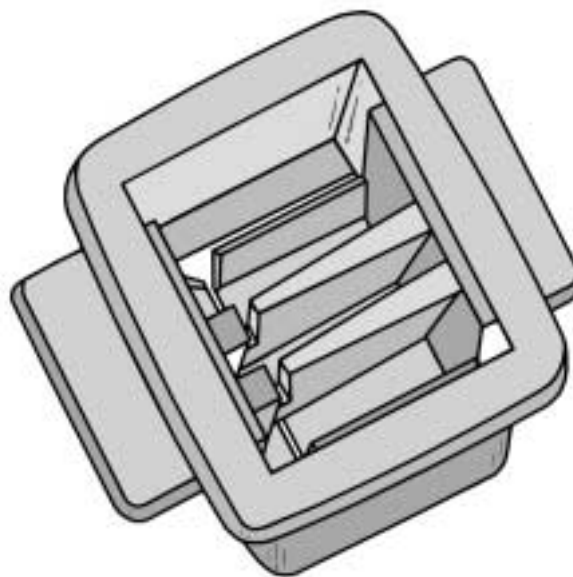
- Push to lock
- Squeeze centre and pull to open



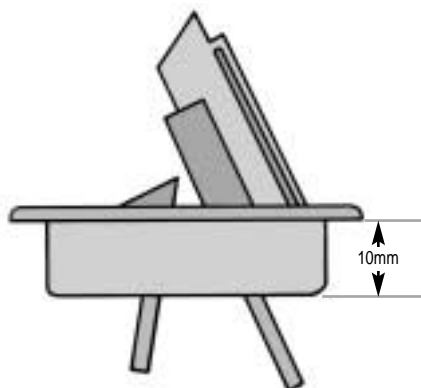
● Interlock 3 top view open



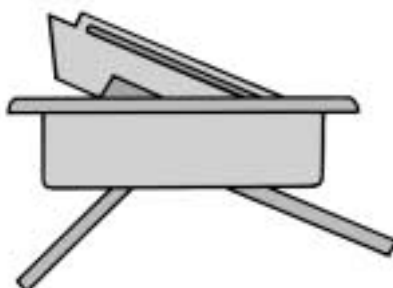
● Interlock 3 3D view open



● Interlock 3 3D view locked



● Interlock 3 side view fully open

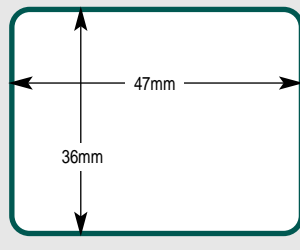


● Interlock 3 side view closing



● Interlock 3 side view locked

Die-cut hole to be w:47mm h:36mm
with radius corners



.....ANOTHER INNOVATIVE ITEM PRODUCT

For more information please contact

ITEM PRODUCTS (NPD) LIMITED

101 PARK STREET, LUTON, BEDS LU1 3HG

Tel: 01582 391 898 Fax: 01582 391 998 email: info@item-products.co.uk Web Site: www.item-products.co.uk