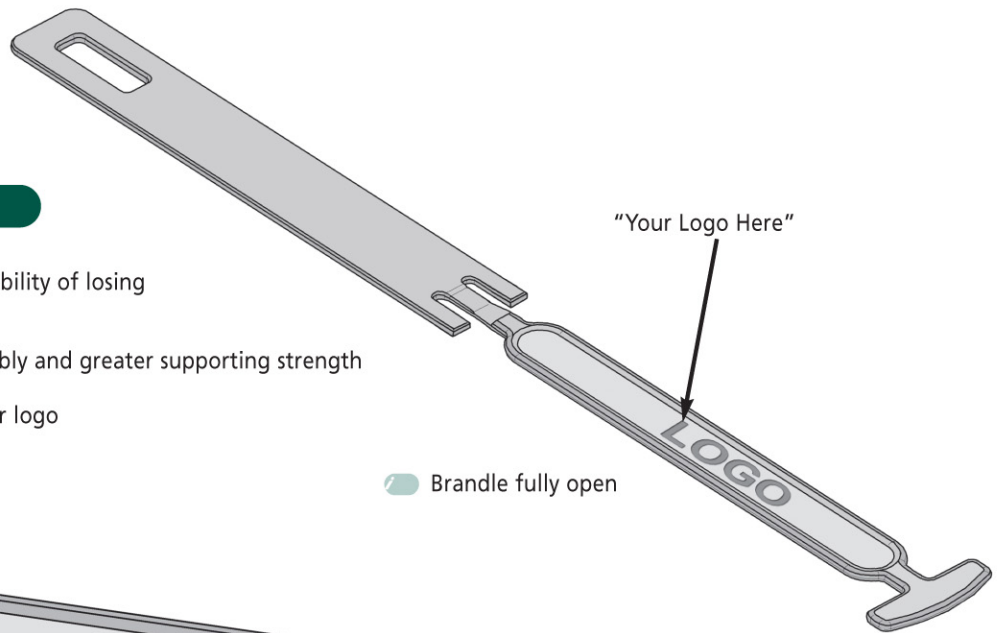


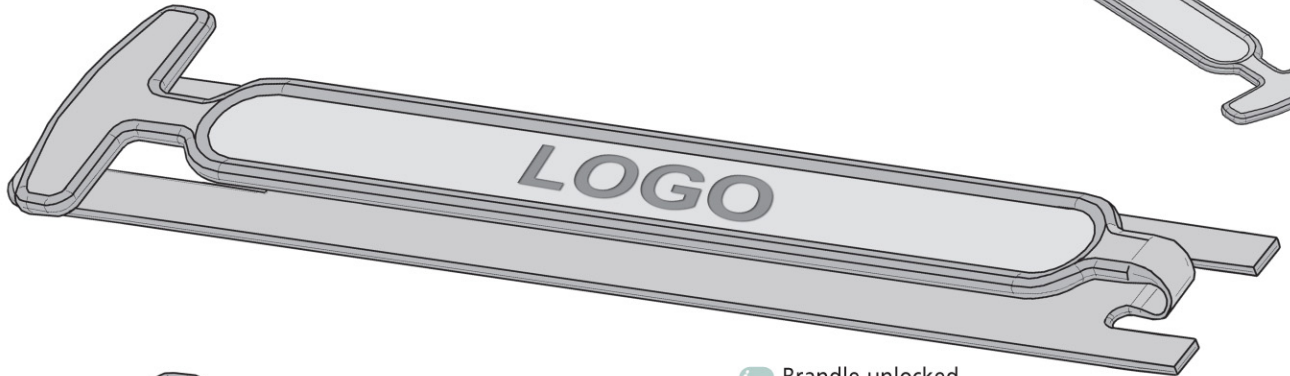
Introducing BRANDLE

Brandle

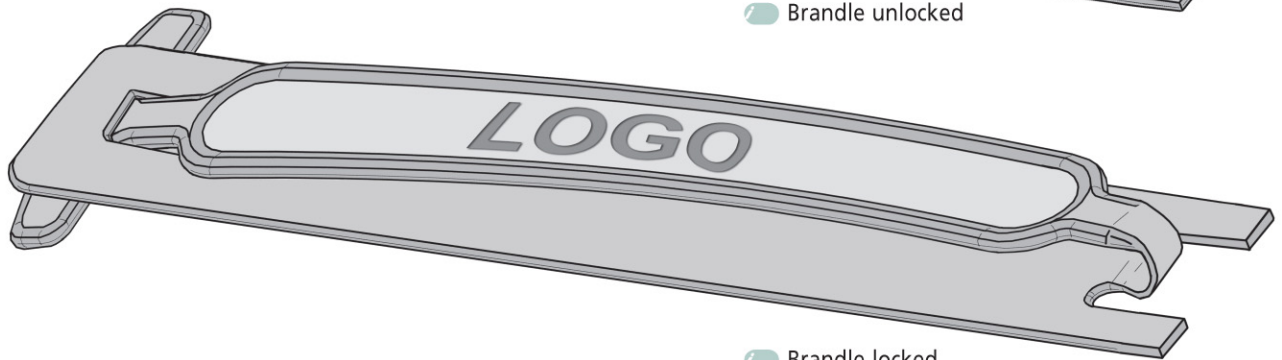
- One piece design removes the possibility of losing separate parts in storage
- Integral base plate for easier assembly and greater supporting strength
- Incorporates your company name or logo
- Competitive cost



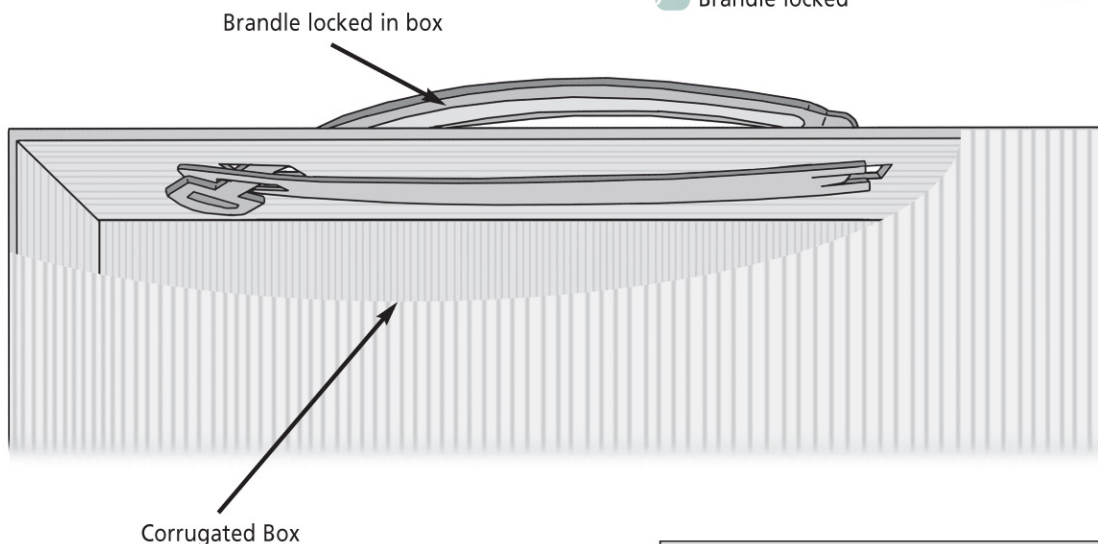
Brandle fully open



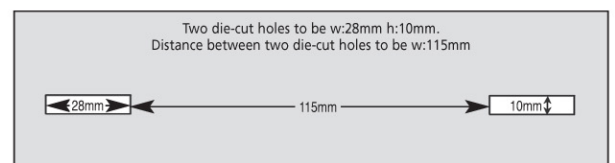
Brandle unlocked



Brandle locked



- For weights up to 15 kilos*, also available in PP27 for Heavy Duty Application for weights up to 25 kilos
- *Guidance only



Fits conventional die cuts

.....ANOTHER INNOVATIVE ITEM PRODUCT

For more information please contact

ITEM PRODUCTS (NPD) LIMITED

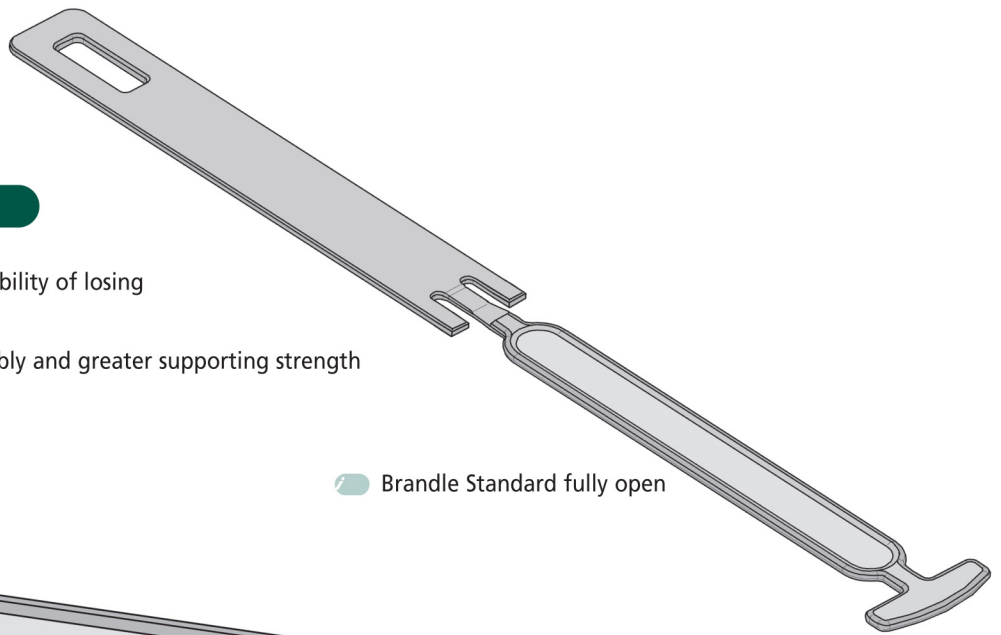
101 PARK STREET, LUTON, BEDS LU1 3HG

Tel: 01582 391 898 Fax: 01582 391 998 email: info@item-products.co.uk Web Site: www.item-products.co.uk

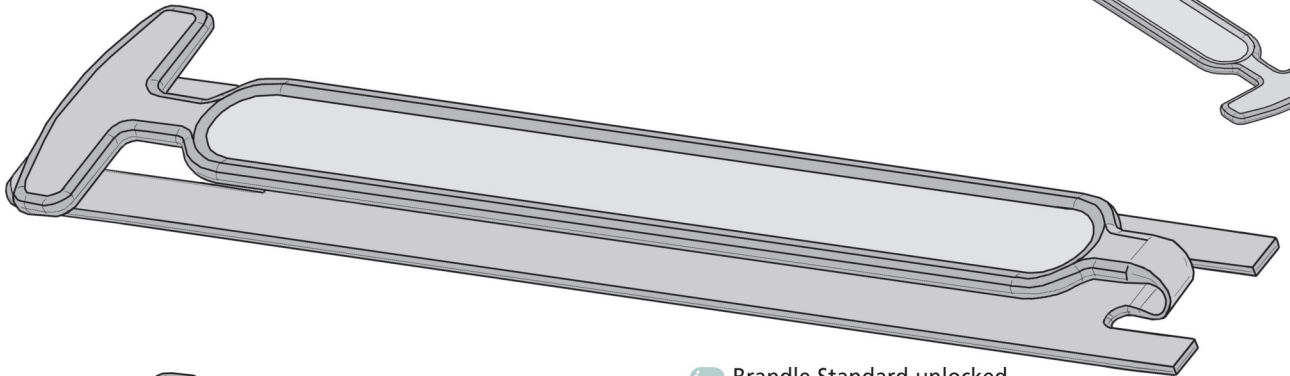
Introducing BRANDLE STANDARD

Brandle Standard

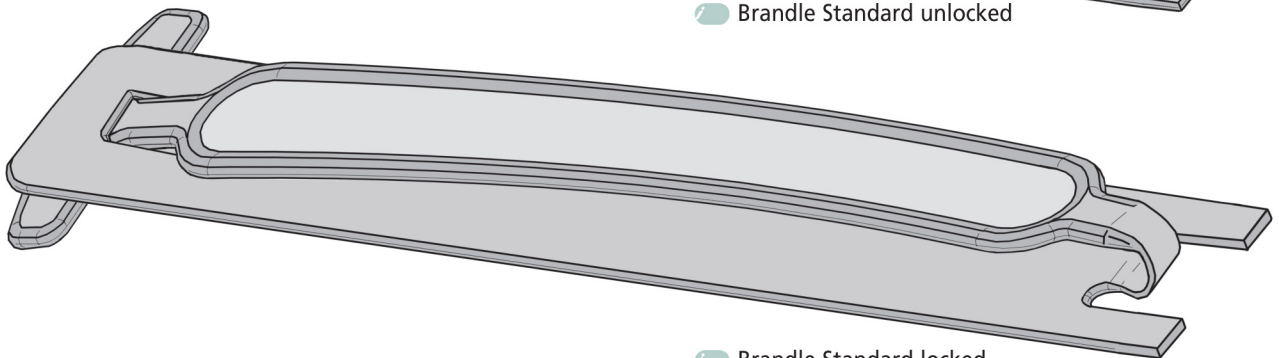
- One piece design removes the possibility of losing separate parts in storage
- Integral base plate for easier assembly and greater supporting strength
- Competitive cost



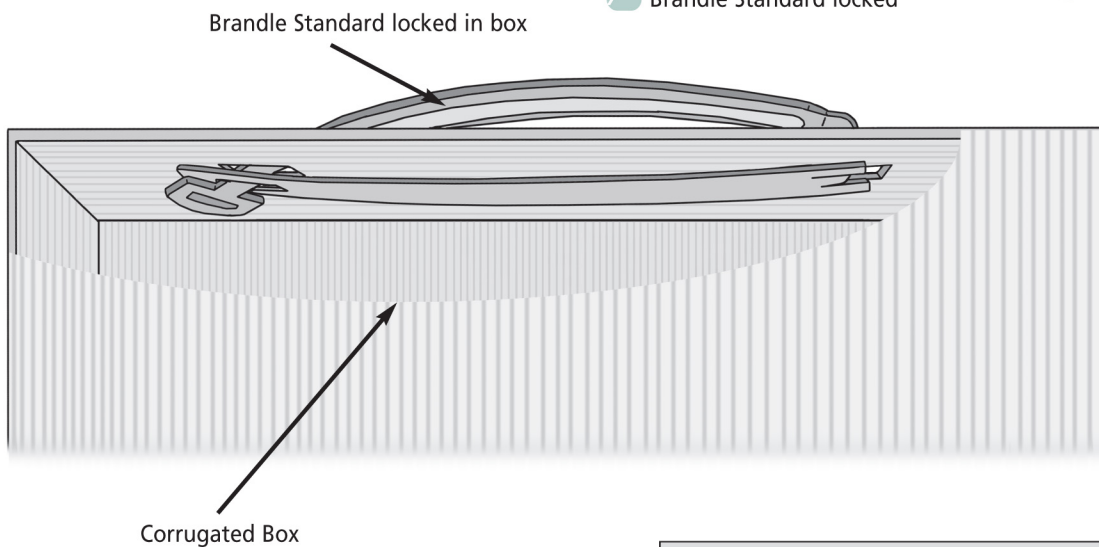
Brandle Standard fully open



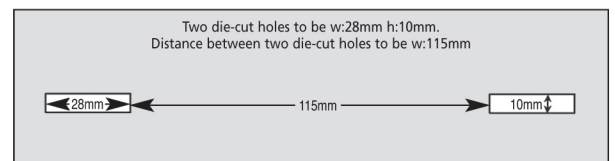
Brandle Standard unlocked



Brandle Standard locked



- For weights up to 15 kilos*, also available in PP27 for Heavy Duty Application for weights up to 25 kilos
- *Guidance only



Fits conventional die cuts

.....ANOTHER INNOVATIVE ITEM PRODUCT

For more information please contact

ITEM PRODUCTS (NPD) LIMITED

101 PARK STREET, LUTON, BEDS LU1 3HG

Tel: 01582 391 898 Fax: 01582 391 998 email: info@item-products.co.uk Web Site: www.item-products.co.uk