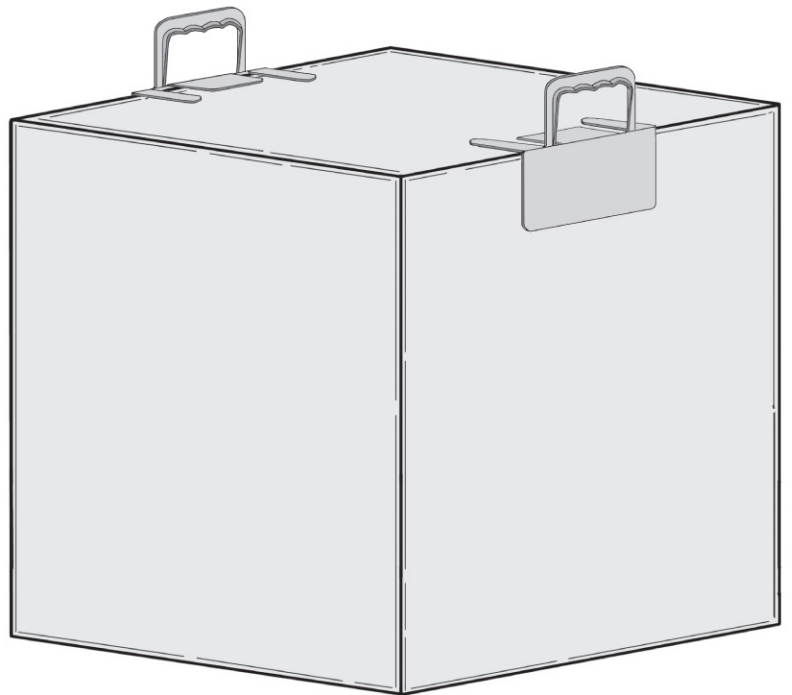


EURO K SERIES EKS 104

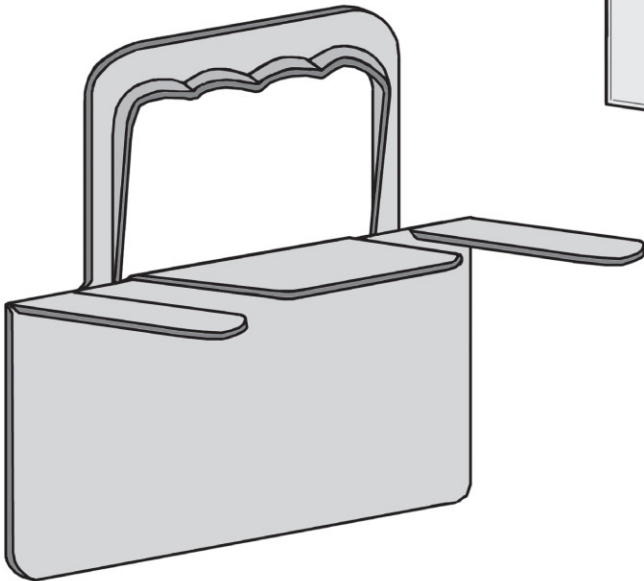
LIMPET

### Limpet features

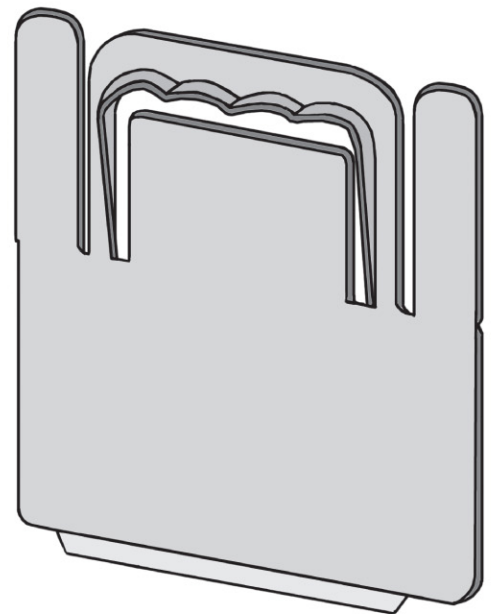
- Simple to use permanent self adhesive handle
- Fitted correctly, max capacity for pair 25kg
- Shown with removable backing sheet  
Remove before application
- Reference EKS 104



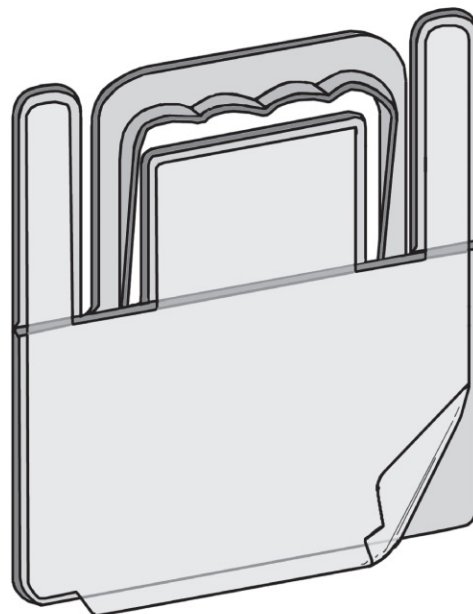
Limpet 3D view fitted



Limpet 3D view closed prior to application  
with lift-off backing sheet removed



Limpet back view open  
(Pre-fitted as supplied)



Limpet front view open with adhesive backing  
sheet in place and showing living hinges

### .....ANOTHER INNOVATIVE ITEM PRODUCT

For more information please contact

**ITEM PRODUCTS (NPD) LIMITED**

101 PARK STREET, LUTON, BEDS LU1 3HG

Tel: 01582 391 898 Fax: 01582 391 998 email: [info@item-products.co.uk](mailto:info@item-products.co.uk) Web Site: [www.item-products.co.uk](http://www.item-products.co.uk)