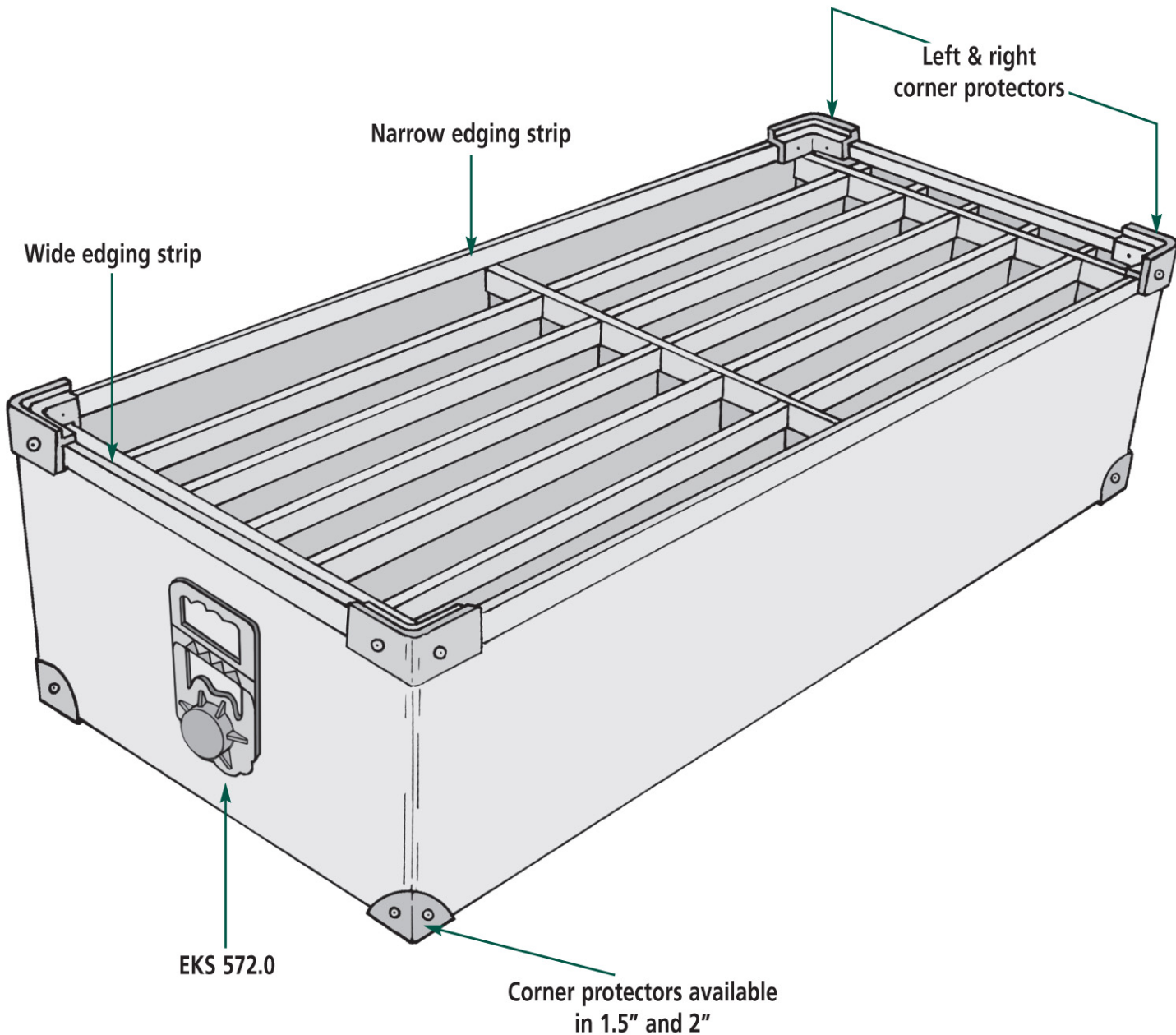


SPECIALIST RANGE

A selection of accessories for constructing, protecting and stacking trays.

HEAVY-DUTY COMPONENT TRAYS

Components used in Heavy-Duty Transit Tray construction



Trays may be manufactured in correx type board or heavy-duty cardboard

For more information please contact

ITEM PRODUCTS (NPD) LIMITED

101 PARK STREET, LUTON, BEDS LU1 3HG

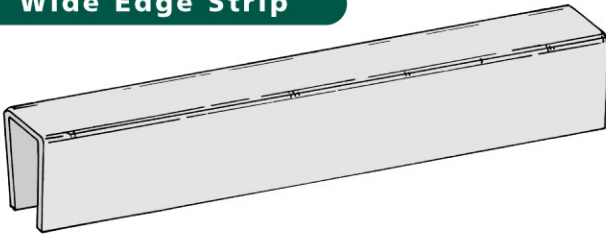
Tel: 01582 391 898 Fax: 01582 391 998 email: info@item-products.co.uk Web Site: www.item-products.co.uk

SPECIALIST RANGE

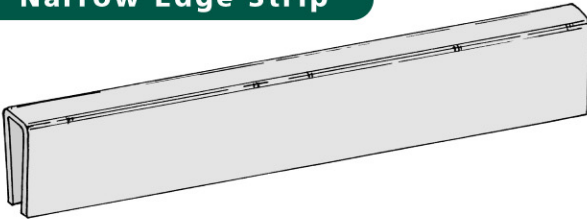
Part of a range of products for use with heavy-duty Component Trays for Engineering and Automotive Production lines

TRAY ACCESSORIES, AVAILABLE IN A RANGE OF COLOURS

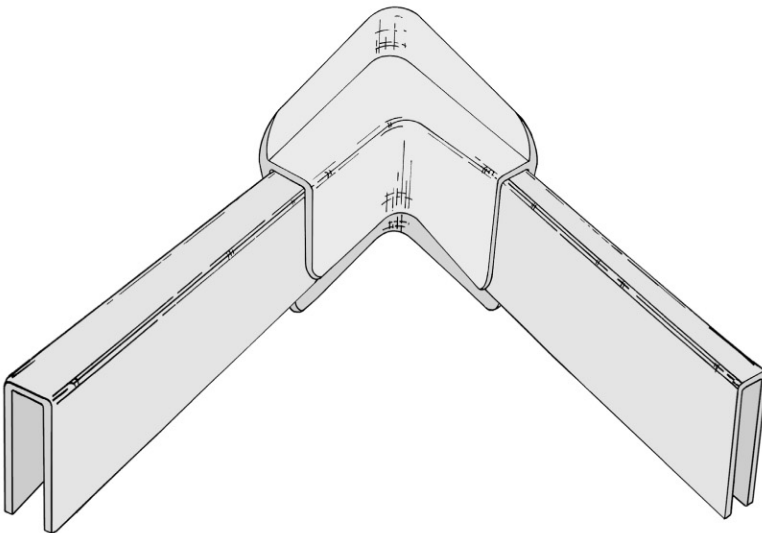
Wide Edge Strip



Narrow Edge Strip

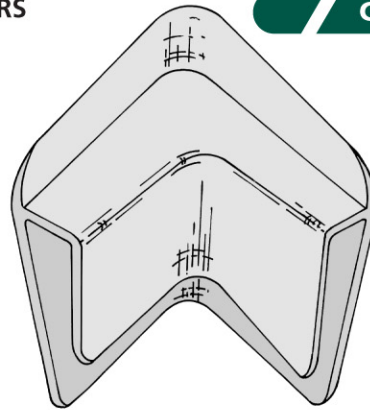


Corner pieces with Wide & Narrow Edge Strip

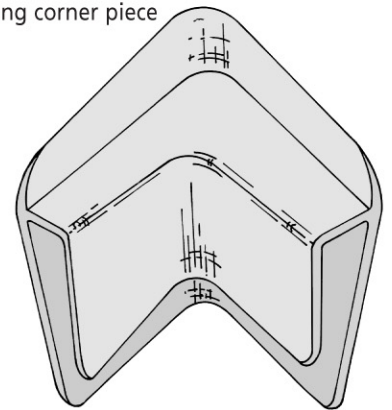


Left hand corner piece with wide and narrow edge strips

Corner pieces

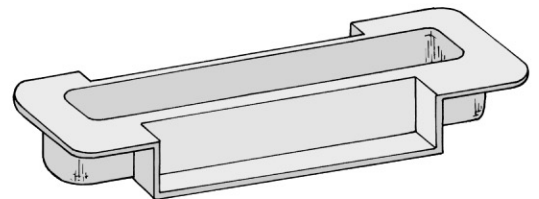


Left hand stacking corner piece



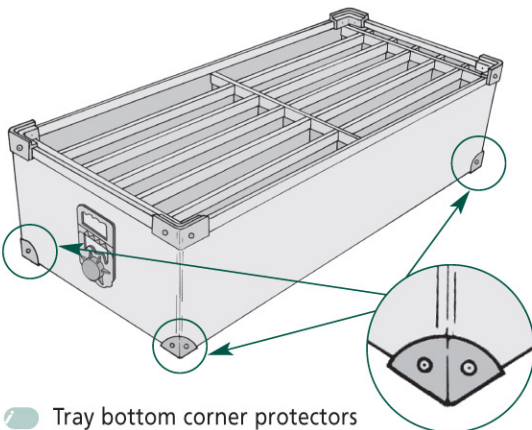
Right hand stacking corner piece

Hand hold

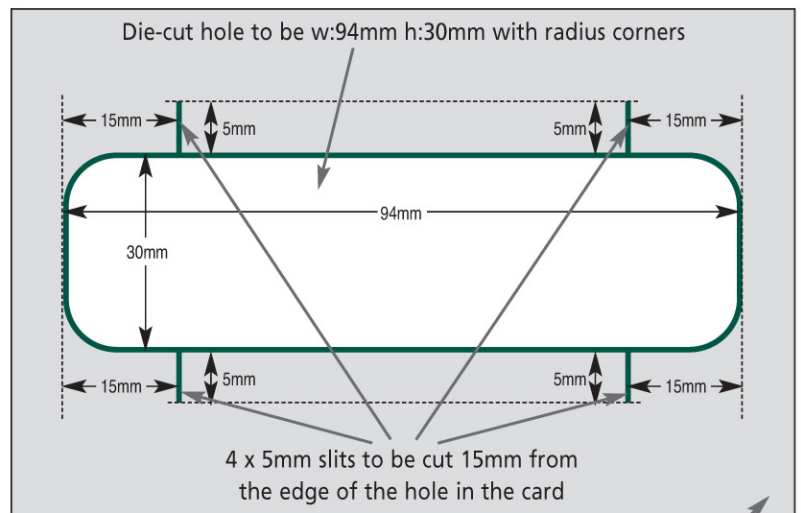


Side-loading hand hold for corrugated/correx trays

Corner Protector



Tray bottom corner protectors



Hand hold Dimensions

Card

For more information please contact

ITEM PRODUCTS (NPD) LIMITED

101 PARK STREET, LUTON, BEDS LU1 3HG

Tel: 01582 391 898 Fax: 01582 391 998 email: info@item-products.co.uk Web Site: www.item-products.co.uk