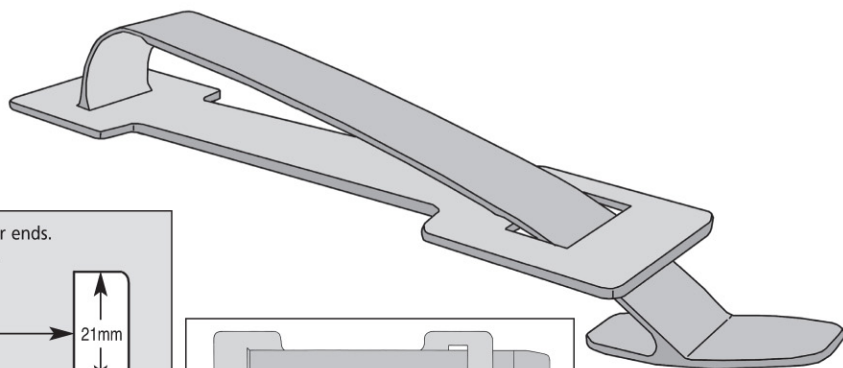
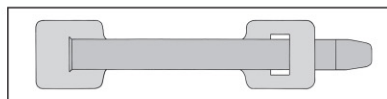
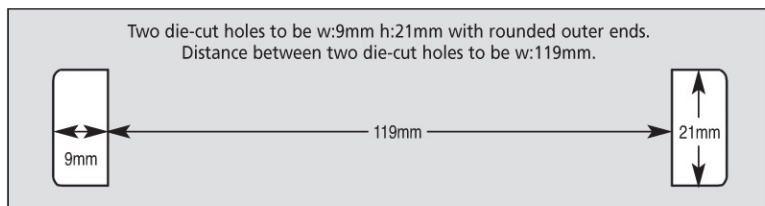


INTEGRA HANDLE RANGE

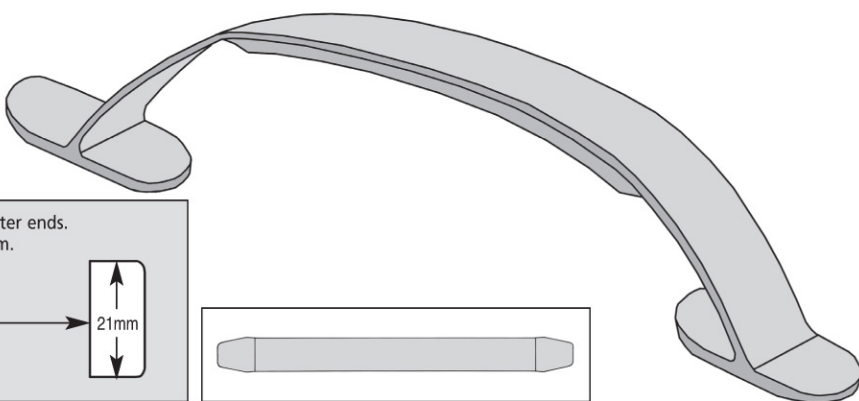
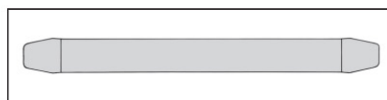
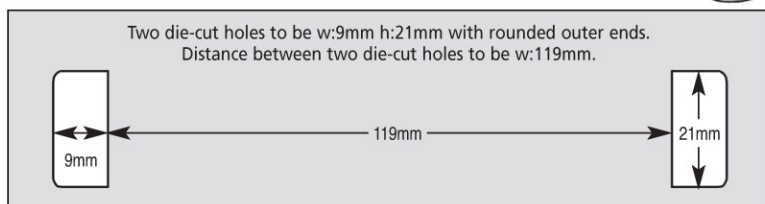
Integra 1

- Heavy duty handle with self-locating, built-in base plate
- Carries up to 25kg



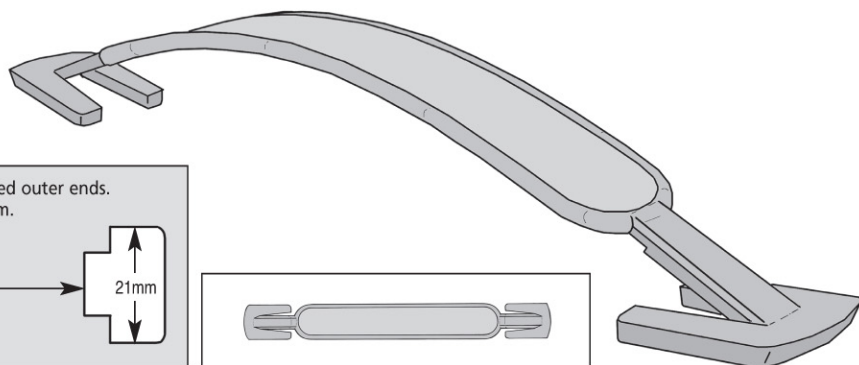
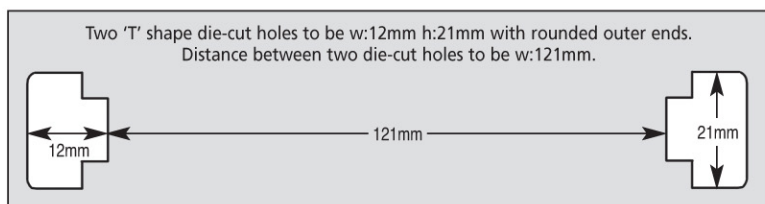
Integra 2

- Medium duty, single-piece handle
- Carries up to 15kg



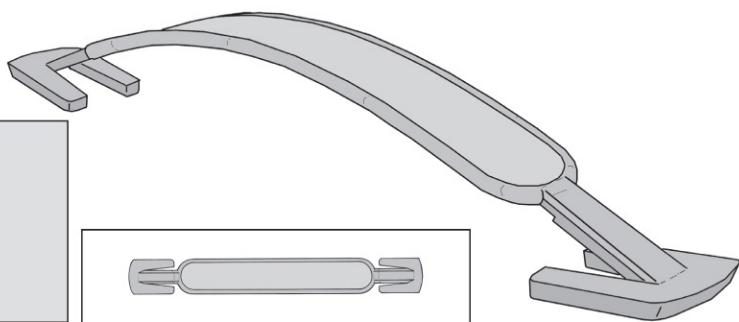
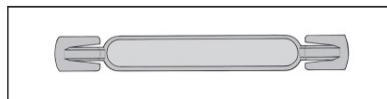
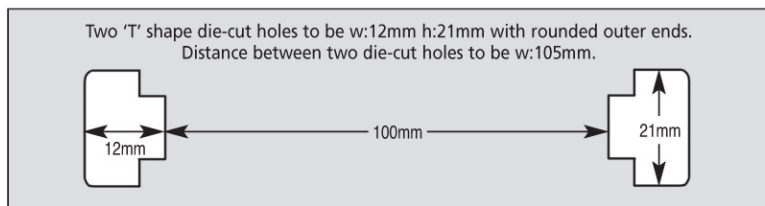
Integra 3

- Lightweight 180mm handle
- Carries up to 10kg



Integra 4

- Lightweight 155mm handle
- Carries up to 10kg



For more information please contact

ITEM PRODUCTS (NPD) LIMITED

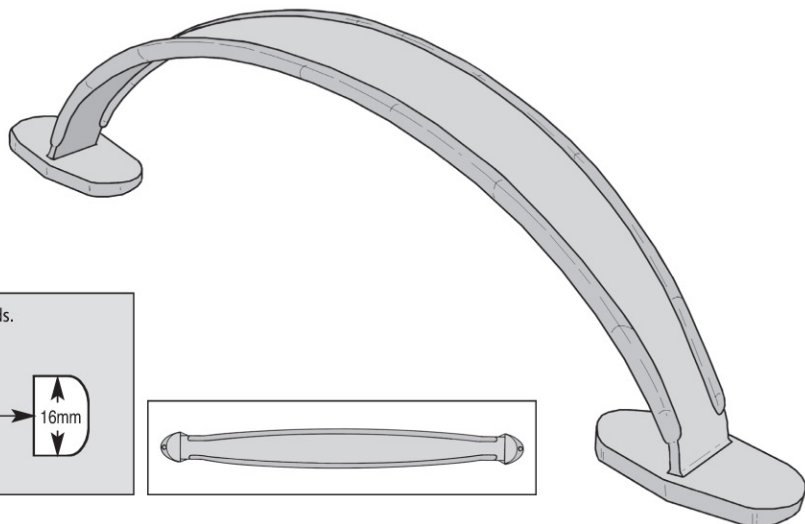
101 PARK STREET, LUTON, BEDS LU1 3HG

Tel: 01582 391 898 Fax: 01582 391 998 email: info@item-products.co.uk Web Site: www.item-products.co.uk

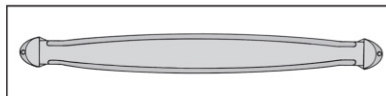
INTEGRA HANDLE RANGE

Integra 5

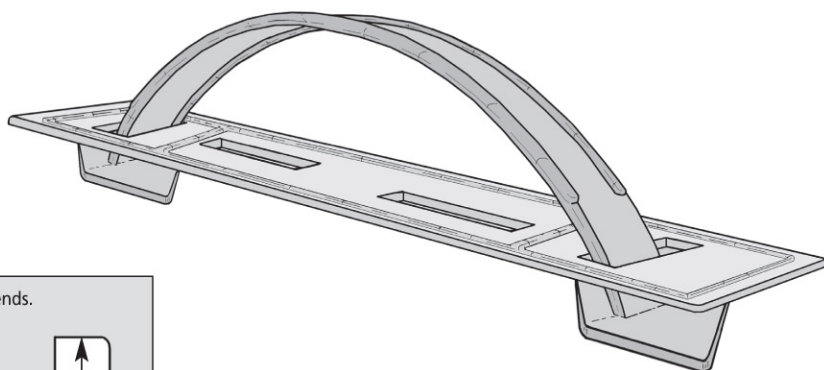
- Lightweight handle / wine box style
- Carries up to 7kg



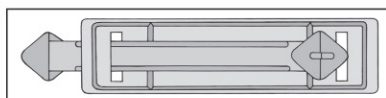
Two die-cut holes to be w:9mm h:16mm with rounded outer ends.
Distance between two die-cut holes to be w:126mm.

**Integra 6 + Base**

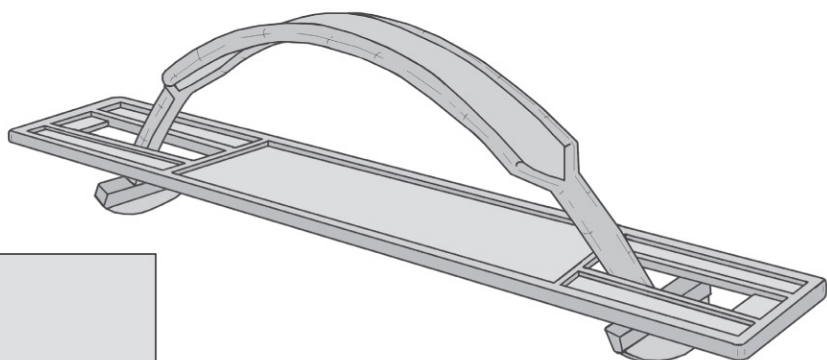
- Lightweight handle with or without base plate
- Carries up to 7kg
- Centre holes on base suitable for use with hanging garments



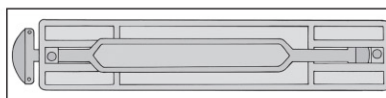
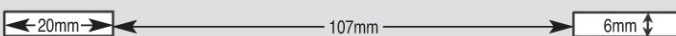
Two die-cut holes to be w:9mm h:22mm with rounded outer ends.
Distance between two die-cut holes to be w:126mm

**Integra 7 + Base**

- Only available with base plate
- Carries up to 20kg



Two die-cut holes to be w:20mm h:6mm.
Distance between two die-cut holes to be w:107mm



For more information please contact

ITEM PRODUCTS (NPD) LIMITED

101 PARK STREET, LUTON, BEDS LU1 3HG

Tel: 01582 391 898 Fax: 01582 391 998 email: info@item-products.co.uk Web Site: www.item-products.co.uk