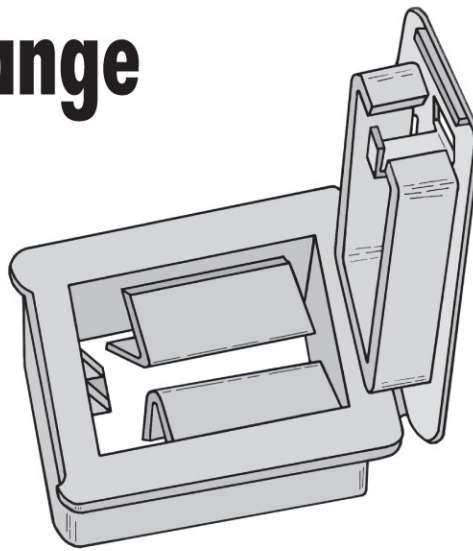


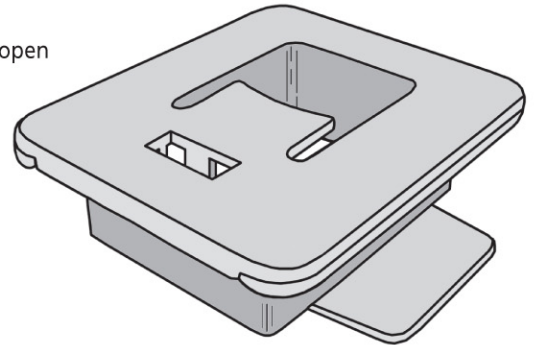
INTERLOCK 5 Range

Interlock 5 features

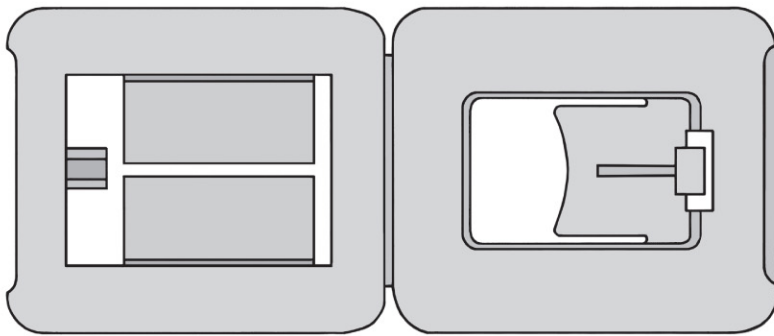
- The most versatile locking device available
- Designed to meet stringent International Standards
- Unique locking mechanism
- Easy to use – ultra reliable in use
- Removable for re-use or for inspection purposes
- Available for different board grades



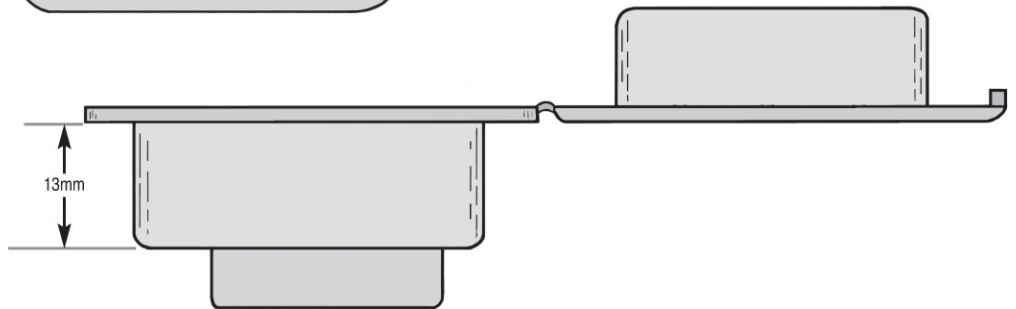
● Interlock 5 3D view open



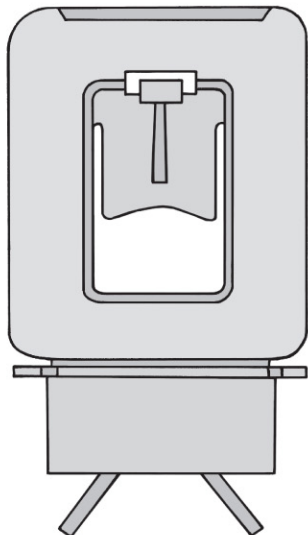
● Interlock 5 3D view closed



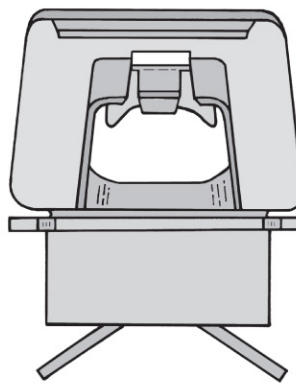
● Interlock 5 top view open



- Suitable for board grade multiples of 13mm, 21mm & 25mm



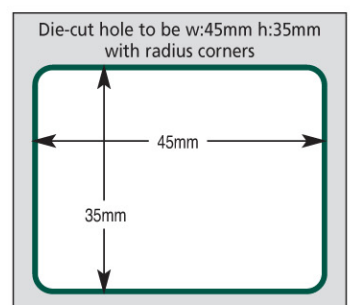
● Interlock 5 front view fully open



● Interlock 5 front view closing



● Interlock 5 front view locked



.....ANOTHER INNOVATIVE ITEM PRODUCT

For more information please contact

ITEM PRODUCTS (NPD) LIMITED

101 PARK STREET, LUTON, BEDS LU1 3HG

Tel: 01582 391 898 Fax: 01582 391 998 email: info@item-products.co.uk Web Site: www.item-products.co.uk