

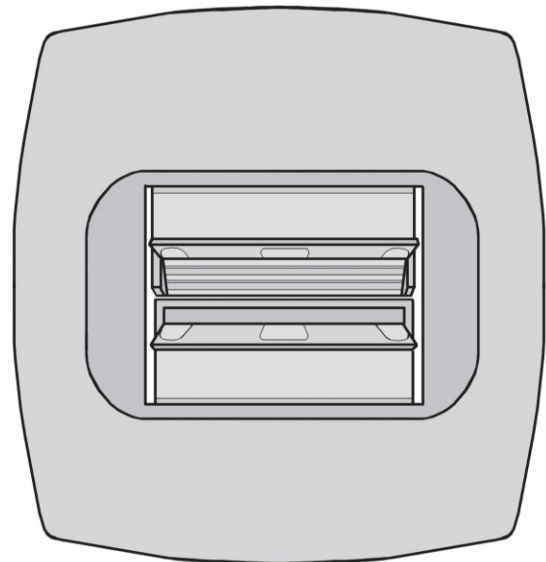
# INTERLOCK 7

## Interlock 7 features

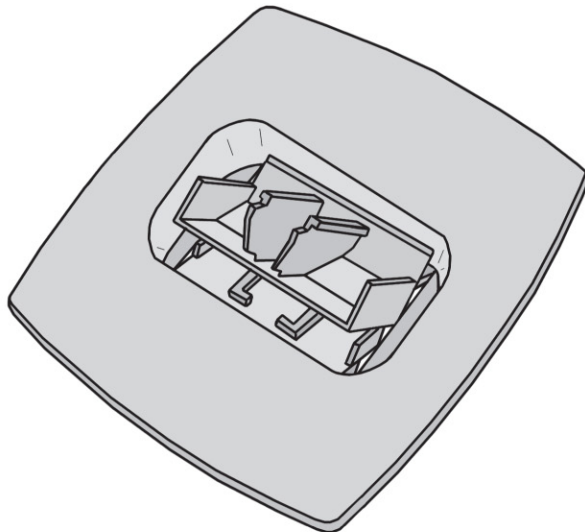
- Simple to use "snap action" closure
- Easy release system (finger and thumb) for removal
- All mechanism internal - no accidental damage from scuffing Possible
- Re-usable if necessary
- Overcomes die cut registration problems experienced with heavier board grades i.e. Triwall

### Push-Pull action:

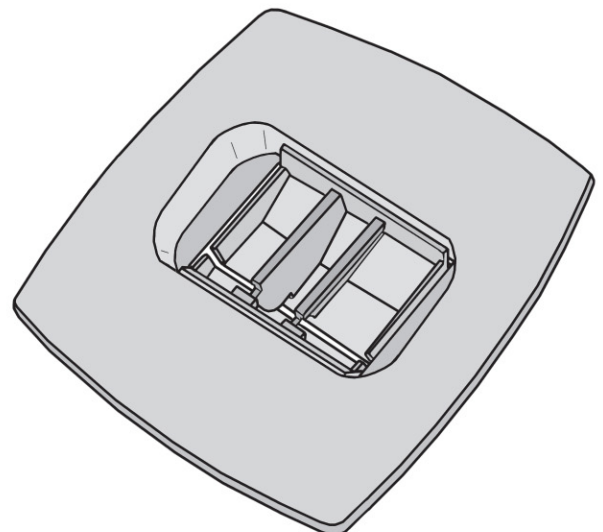
- Push to lock
- Squeeze centre and pull to open



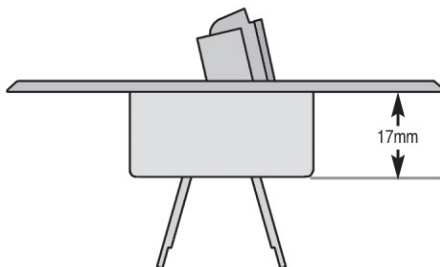
● Interlock 7 bottom view open



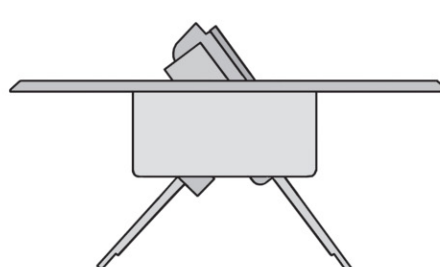
● Interlock 7 top view open



● Interlock 7 top view locked



● Interlock 7 side view fully open



● Interlock 7 side view closing



● Interlock 7 side view locked

"Interlock" Registered Trade Mark and Design

.....ANOTHER INNOVATIVE ITEM PRODUCT

For more information please contact

**ITEM PRODUCTS (NPD) LIMITED**

101 PARK STREET, LUTON, BEDS LU1 3HG

Tel: 01582 391 898 Fax: 01582 391 998 email: [info@item-products.co.uk](mailto:info@item-products.co.uk) Web Site: [www.item-products.co.uk](http://www.item-products.co.uk)

