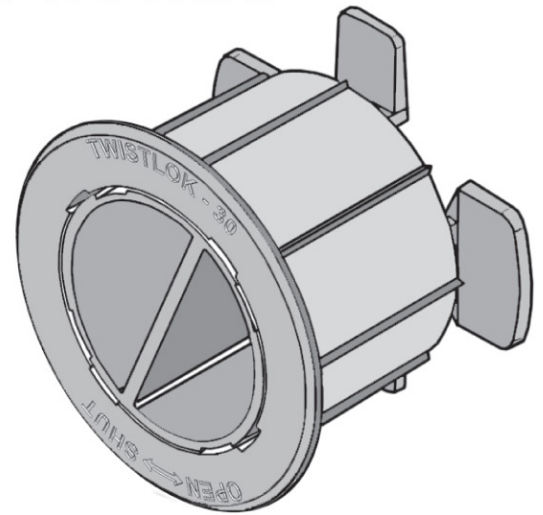


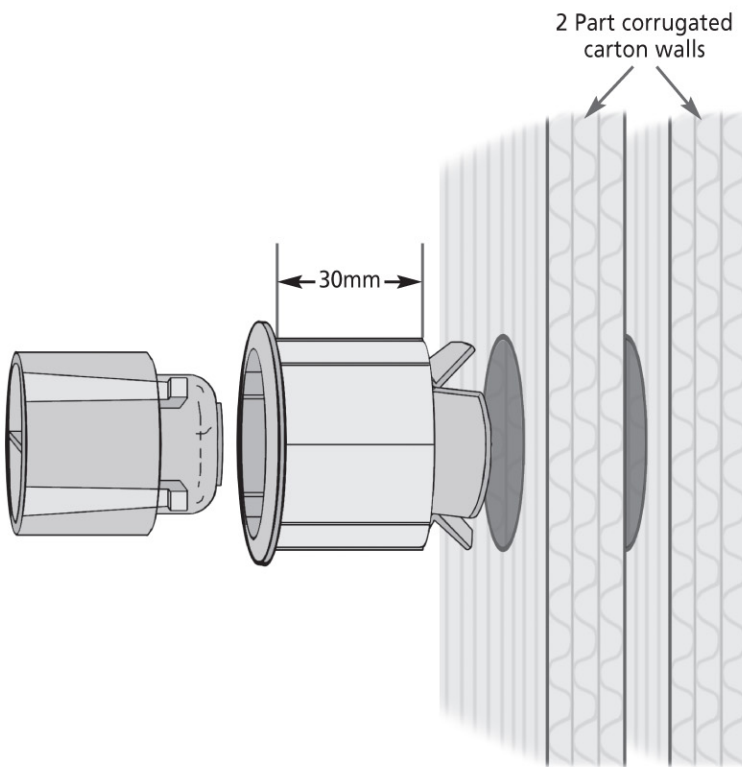
# New TWISTLOK 15mm, 20mm & 30mm

## Twistlok 15, 20 & 30

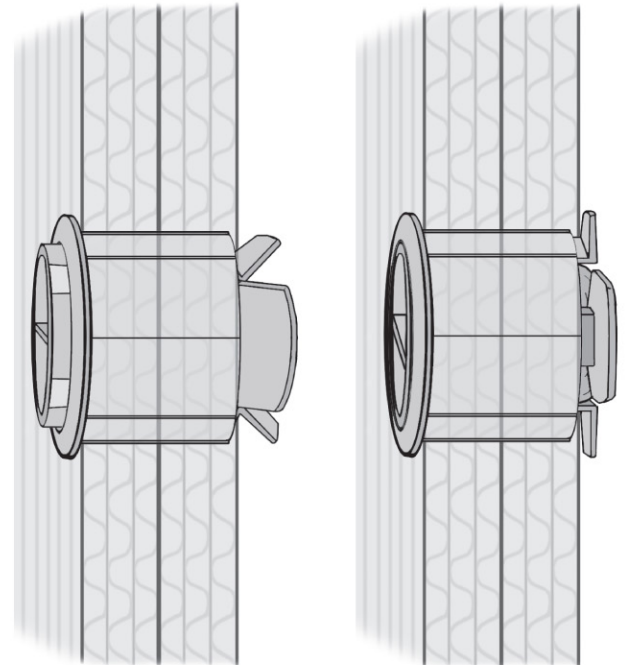
- Two-piece cylindrical Interlock
- Simple to fit / assemble
- Die-cut board or drill
- Re-usable
- To assemble board thicknesses of 15mm, 20m & 30mm



Twistlok 3D view locked

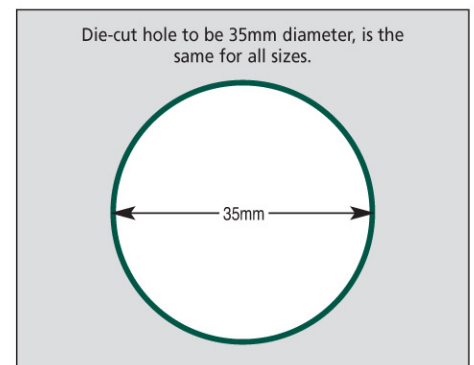
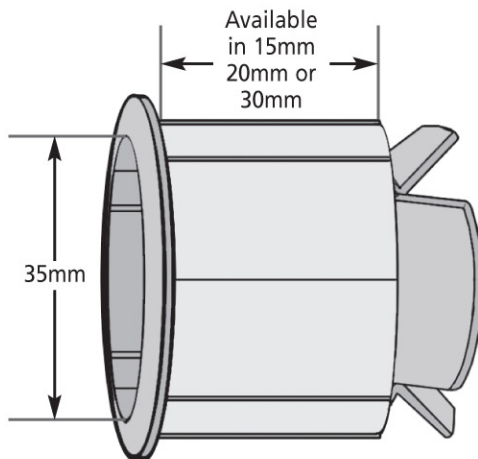


Twistlok side view fully open



Twistlok side view locking

Twistlok side view locked



### .....ANOTHER INNOVATIVE ITEM PRODUCT

For more information please contact

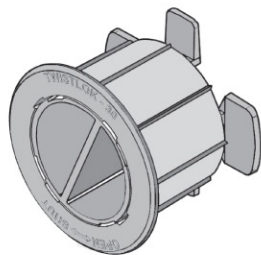
**ITEM PRODUCTS (NPD) LIMITED**

101 PARK STREET, LUTON, BEDS LU1 3HG

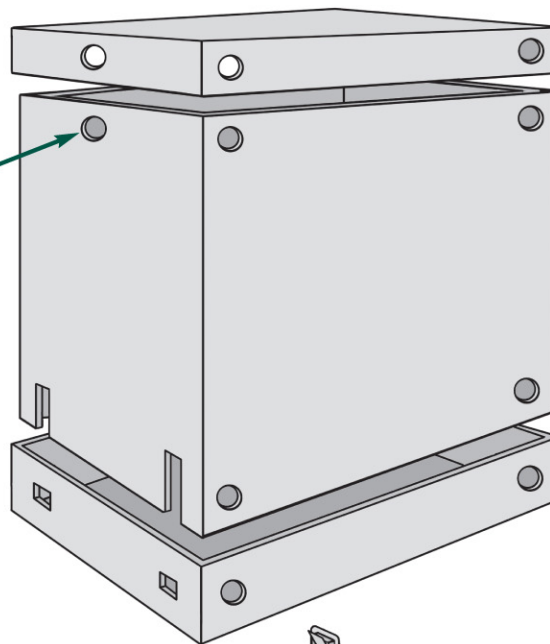
Tel: 01582 391 898 Fax: 01582 391 998 email: [info@item-products.co.uk](mailto:info@item-products.co.uk) Web Site: [www.item-products.co.uk](http://www.item-products.co.uk)

# INTERLOCK SYSTEM INCORPORATING TWISTLOK

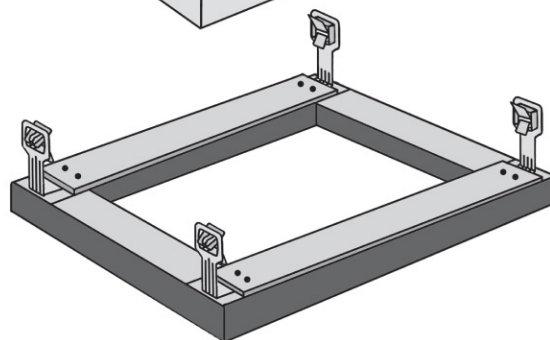
Showing combination of Interlock 6 Pallet Lock & Twistlok



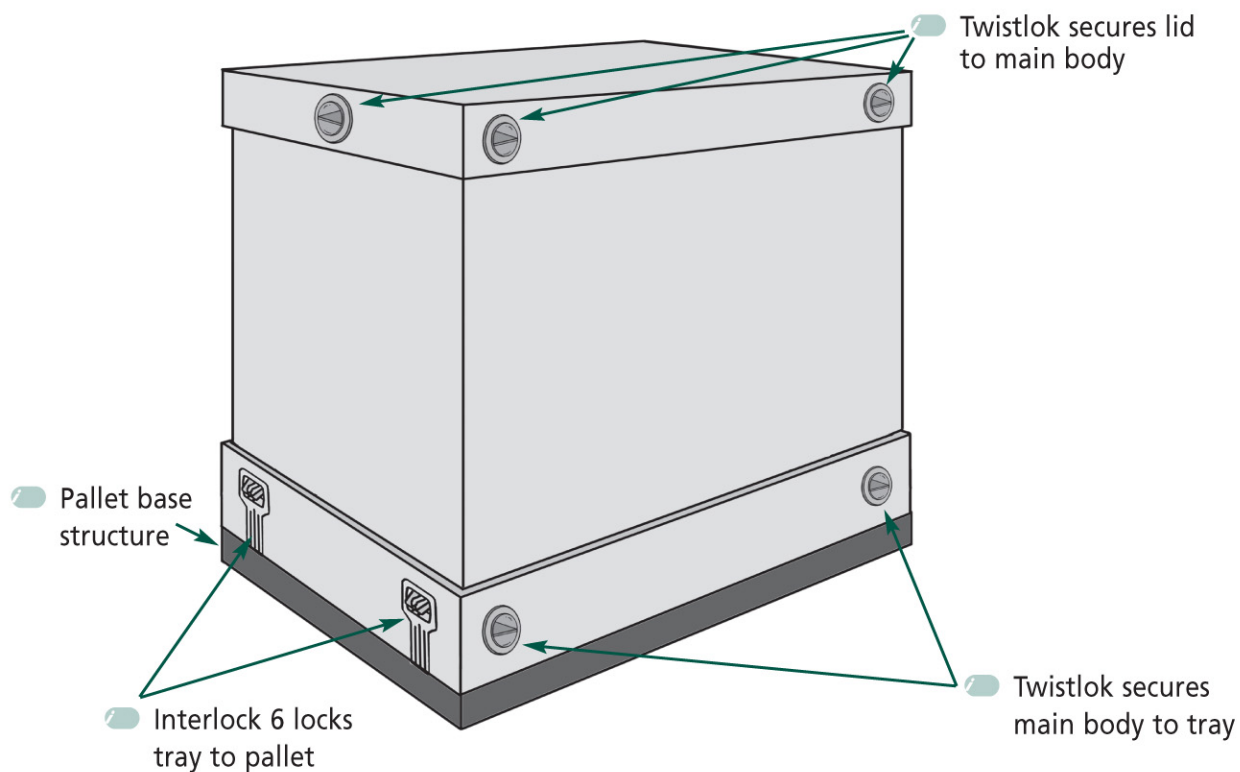
Twistlok is used to lock lid/tray to main box



Pallet structure fitted with Interlock 6 Pallet Lock



Complete assembly for pallet with Interlock 6 & Twistlok



.....ANOTHER INNOVATIVE ITEM PRODUCT

For more information please contact

**ITEM PRODUCTS (NPD) LIMITED**

101 PARK STREET, LUTON, BEDS LU1 3HG

Tel: 01582 391 898 Fax: 01582 391 998 email: [info@item-products.co.uk](mailto:info@item-products.co.uk) Web Site: [www.item-products.co.uk](http://www.item-products.co.uk)