

TRUNDLER

Introducing packaging mobility
with **NEW TRUNDLER**

No lifting – tilt and move

- Designed for packaging, POS and industrial applications.
- For grades of corrugated board from 13mm to 25mm.
- No additional fixings or tools required, fitted and removed in seconds.
- Re-usable.
- Maximum design weight 75kg per wheel.



.....DON'T LIFT IT.....TRUNDLE IT!!

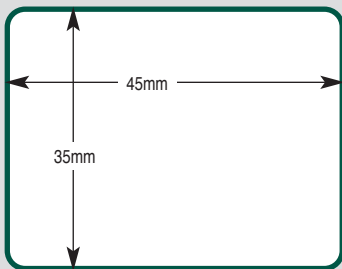
TRUNDLER

PAT APP.0906624.2

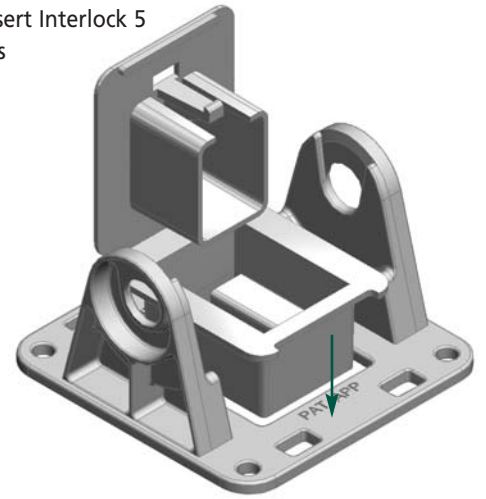
Trundler features

- 'Trundler' wheels ease movement of heavy and awkward packaging.
- Three-piece injection moulded construction using Interlock 5 to clip the wheel chassis to the board.
- The wheel neatly snaps into the chassis.
- Quick to assemble from the outside of the packaging.
- Easy to remove for re-use or recycling once the packaging has done its job.
- Fits board grade combinations up to 13mm, 21mm and 25mm.
- Fully recyclable, made from reprocessed polymers to enhance the environmental credibility.
- Manufactured in the UK.

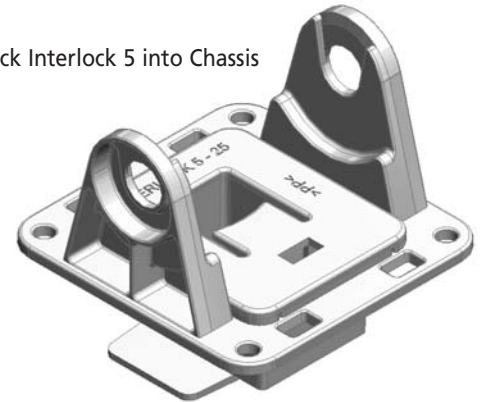
Die-cut hole required w:45mm h:35mm with radius corners



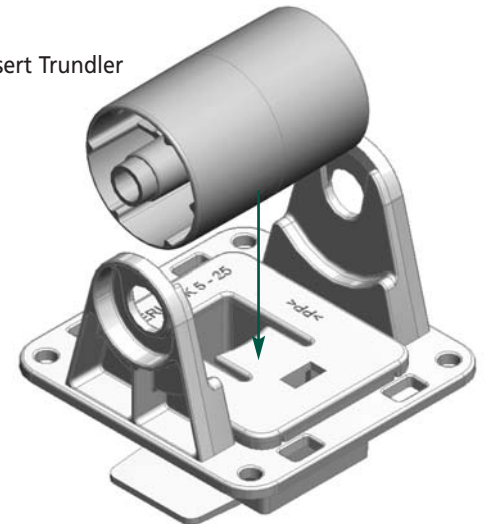
- Step 1 – Insert Interlock 5 into Chassis



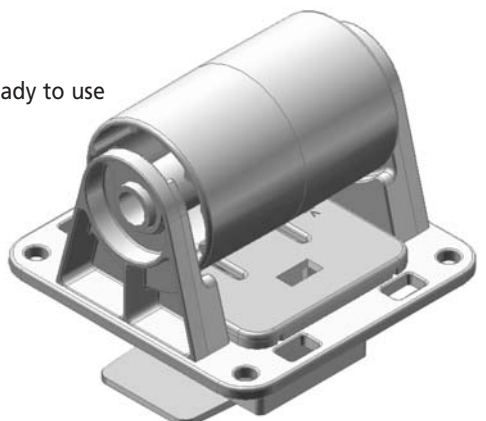
- Step 2 – Lock Interlock 5 into Chassis



- Step 3 – Insert Trundler



- Trundler ready to use



For more information please contact

ITEM PRODUCTS (NPD) LIMITED

101 PARK STREET, LUTON, BEDS LU1 3HG

Tel: 01582 391 898 Fax: 01582 391 998

email: info@item-products.co.uk

Web Site: www.item-products.co.uk